

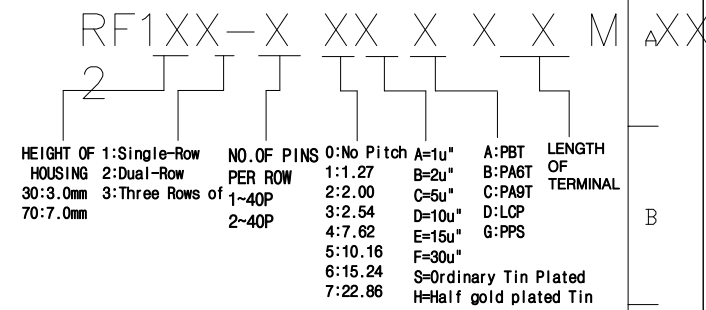
SMT socket connector, low profile
 single row, perpendicular
 Availability from: 2 to 40 contacts
 Standard number of contacts 5, 6, 8, 9,
 10, 11, 12, 14, 16, 17, 20, 25, 30, 32 and 40

SMT socket connector, low profile
 double row, perpendicular mount
 with self-levelling flating
 Availability from: 4 to 80 contacts
 Standard number of contacts 64

SMT socket connector: single row,
 perpendicular mount with gull-wing
 terminations
 Availability from: 3 to 40 contacts
 Standard number of contacts 5, 6, 8, 9,
 10, 11, 12, 14, 16, 17, 20, 25, 30, 32 and 40

SMT socket connector: double row,
 perpendicular mount with gull-wing
 terminations
 Availability from: 4 to 80 contacts
 Standard number of contacts 20, 56,
 60, 64 and 72

Ordering Information



Specifications

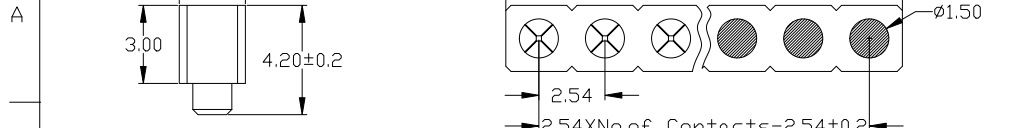
Insulator : Black glass filled polyester PPS-GF30-FR
 Flammability : UL94V-0
 Sleeve : Brass CuZn 36Pb3(36000)
 Contact cilp (6 finger) : Beryllium copper (C17200)
 Mating pin Ø : 0.70 to 0.90 mm or 0.635SQ
 Forces : (polished steel gauge Ø0.76mm)
 -Insertion : 1.2 N typ.
 -Withdrawal : 0.6 N typ.
 Mechancial life : min 500 cycles
 Rated current : 3Amp
 Contact resistance: Max 10mΩ
 Dielectric resistance : Min 1000V_{RMS}
 Coplanariny SMT terminations : max 0.1mm(measured on
 25 mm long connectors)

					OPERATION		SCALE		Fit		<h2 style="margin: 0;">上海高霖电子有限公司</h2>				
					X.X	±0.25	UNIT		MM						
					X.XX	±0.20	SIZE	A4	DESIGN	卢小强				PART NO.	RF1XX-XXXXXXXXXX2
					X.XXX	±0.10	SHEET	1/1	CHECK					TITLE:	2.54圆孔排母 SMT
REV	DATE	MODIFICATION DESCRIPTION			CHANGE	APPROVE	DIM	TOL	PROJ.	APPROVE	Customer No.				

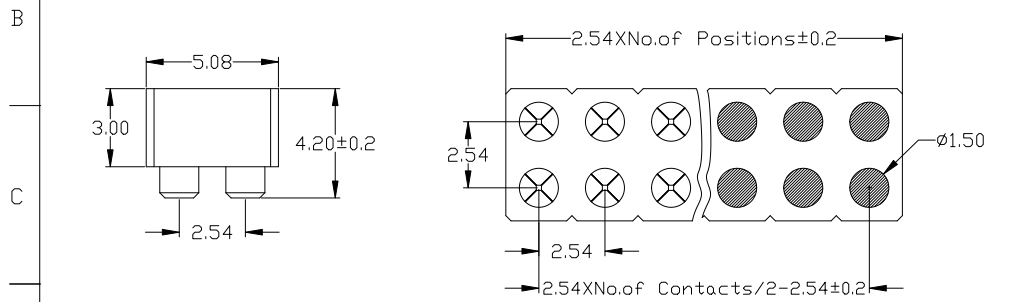
Ordering Information

RF130-X XX X X X M AXX

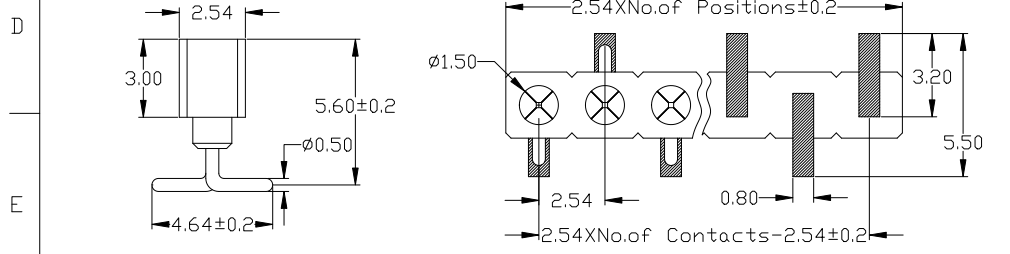
HEIGHT OF HOUSING	1:Single-Row	NO. OF PINS PER ROW	0:No Pitch	A=1u"	A:PBT	LENGTH OF TERMINAL
30:3.0mm	2:Dual-Row	1~40P	1:1.27	B=2u"	B:PA6T	
	3:Three Rows of	2~40P	2:2.00	C=5u"	C:PA9T	
			3:2.54	D=10u"	D:LCP	
			4:7.62	E=15u"	G:PPS	
			5:10.16	F=30u"		
			6:15.24	S=Ordinary Tin Plated		
			7:22.86	H=Half gold plated Tin		



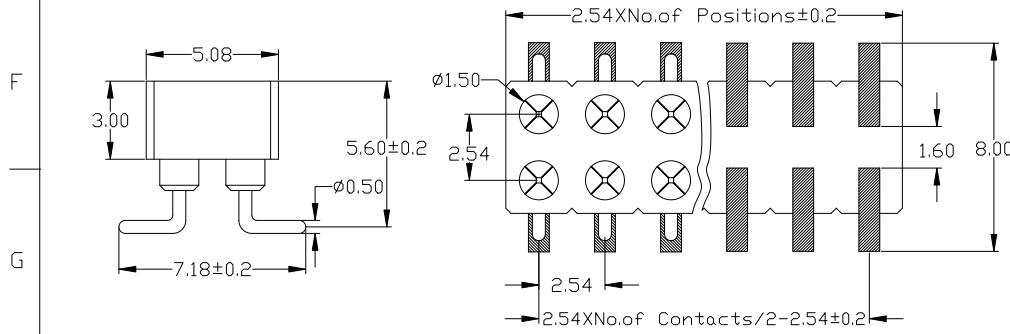
SMT socket connector, low profile single row, perpendicular
 Availability from: 2 to 40 contacts
 Standard number of contacts 5, 6, 8, 9, 10, 11, 12, 14, 16, 17, 20, 25, 30, 32 and 40



SMT socket connector, low profile double row, perpendicular mount with self-levelling flating
 Availability from: 4 to 80 contacts
 Standard number of contacts 64



SMT socket connector: single row, perpendicular mount with gull-wing terminations
 Availability from: 3 to 40 contacts
 Standard number of contacts 5, 6, 8, 9, 10, 11, 12, 14, 16, 17, 20, 25, 30, 32 and 40



SMT socket connector: double row, perpendicular mount with gull-wing terminations
 Availability from: 4 to 80 contacts
 Standard number of contacts 20, 56, 60, 64 and 72

Specifications

Insulator : Black glass filled polyester PPS-GF30-FR
 Flammability : UL94V-0
 Sleeve : Brass CuZn 36Pb3(36000)
 Contact clip (4 finger) : Beryllium copper (C17200)
 Mating pin Ø : 0.40 to 0.56 mm
 Forces : (polished steel gauge Ø0.43mm)
 -Insertion : 2 N typ.
 -Withdrawal : 1 N typ.
 Mechancial life : min 500 cycles
 Rated current : 3Amp
 Contact resistance: Max 10mΩ
 Dielectric resistance : Min 1000V_{RMS}
 Coplanariny SMT terminations : max 0.1mm(measured on 25 mm long connectors)

					OPERATION	SCALE	Fit	<h2 style="text-align: center;">上海高霖电子有限公司</h2>						
					X.X ±0.25	UNIT	MM							
					X.XX ±0.20	SIZE	A4				DESIGN	卢小强	PART NO.	RF130-XXXXXXMXXX1
					X.XXX ±0.10	SHEET	1/1				CHECK		TITLE:	2.54圆孔排母 塑高3.0 SMT
REV	DATE	MODIFICATION DESCRIPTION	CHANGE	APPROVE	Angle ±3°	PROJ.	APPROVE	Customer No.						
					DIM TOL									