

See page 33	No. of Positions	A	B	C
fig. 1	6	7.6	7.62	10.1
fig. 2	8	10.1	7.62	10.1
fig. 3	10	12.6	7.62	10.1
fig. 5	14	17.7	7.62	10.1
fig. 6	16	20.3	7.62	10.1
fig. 7	18	22.8	7.62	10.1
fig. 8	20	25.3	7.62	10.1
fig. 9	22	27.8	7.62	10.1
fig. 10	24	30.4	7.62	10.1
fig. 11	28	35.5	7.62	10.1
fig. 12	20	25.4	10.16	12.6
fig. 13	22	27.8	10.16	12.6
fig. 14	24	30.4	10.16	12.6
fig. 15	28	35.5	10.16	12.6
fig. 17	24	30.5	15.24	17.7
fig. 18	28	35.5	15.24	17.7
fig. 19	32	40.6	15.24	17.7
fig. 20	36	45.7	15.24	17.7
fig. 21	40	50.8	15.24	17.7
fig. 22	42	53.3	15.24	17.7
fig. 23	48	60.9	15.24	17.7
fig. 24	50	63.5	15.24	17.7

### Ordering Information

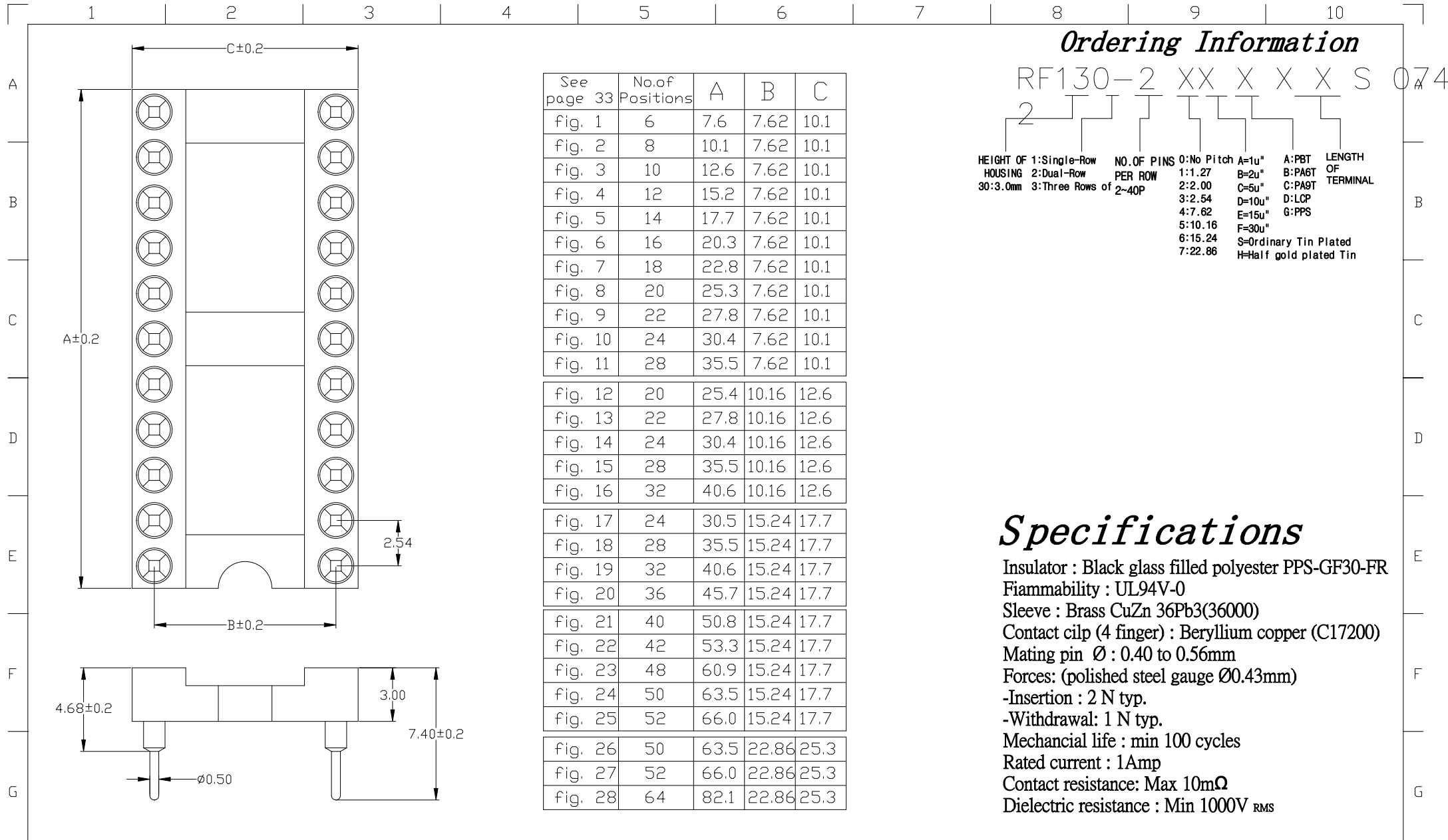
RF119-2 XX X X X S 048

HEIGHT OF HOUSING: 1: Single-Row 1.9mm, 2: Dual-Row, 3: Three Rows of 2-40P  
 NO. OF PINS PER ROW: 0: No Pitch 1: 1.27, 2: 2.00, 3: 2.54, 4: 7.62, 5: 10.16, 6: 15.24, 7: 22.86  
 A=1u", B=2u", C=5u", D=10u", E=15u", F=30u"  
 A: PBT, B: PA6T, C: PA9T, D: LCP, G: PPS  
 S: Ordinary Tin Plated, H: Half gold plated Tin

### Specifications

Insulator : Black glass filled polyester PPS-GF30-FR  
 Flammability : UL94V-0  
 Sleeve : Brass CuZn 36Pb3(36000)  
 Contact cilp (4 finger) : Beryllium copper (C17200)  
 Mating pin Ø : 0.40 to 0.56mm  
 Forces: (polished steel gauge Ø0.43mm)  
 -Insertion : 3 N typ.  
 -Withdrawal: 1.5 N typ.  
 Mechanical life : min 100 cycles  
 Rated current : 1Amp  
 Contact resistance: Max 10mΩ  
 Dielectric resistance : Min 1000V<sub>RMS</sub>

					OPERATION		SCALE		Fit		上海高霖电子有限公司 卢小强      PART NO. RF119-2XXXXXS048C1 TITLE: 2.54圆孔 IC座 塑高1.9 180度 L=4.82 Customer No.			
					X.X	±0.25	UNIT		MM					
					X.XX	±0.20	SIZE	A4	DESIGN					
					X.XXX	±0.10	SHEET	1/1	CHECK					
REV	DATE	MODIFICATION DESCRIPTION		CHANGE	APPROVE	Angle	±3°	PROJ.	⊕	APPROVE				
					DIM	TOL								
1		2	3	4	5	6	7	8	9	10				



See page 33	No. of Positions	A	B	C
fig. 1	6	7.6	7.62	10.1
fig. 2	8	10.1	7.62	10.1
fig. 3	10	12.6	7.62	10.1
fig. 4	12	15.2	7.62	10.1
fig. 5	14	17.7	7.62	10.1
fig. 6	16	20.3	7.62	10.1
fig. 7	18	22.8	7.62	10.1
fig. 8	20	25.3	7.62	10.1
fig. 9	22	27.8	7.62	10.1
fig. 10	24	30.4	7.62	10.1
fig. 11	28	35.5	7.62	10.1
fig. 12	20	25.4	10.16	12.6
fig. 13	22	27.8	10.16	12.6
fig. 14	24	30.4	10.16	12.6
fig. 15	28	35.5	10.16	12.6
fig. 16	32	40.6	10.16	12.6
fig. 17	24	30.5	15.24	17.7
fig. 18	28	35.5	15.24	17.7
fig. 19	32	40.6	15.24	17.7
fig. 20	36	45.7	15.24	17.7
fig. 21	40	50.8	15.24	17.7
fig. 22	42	53.3	15.24	17.7
fig. 23	48	60.9	15.24	17.7
fig. 24	50	63.5	15.24	17.7
fig. 25	52	66.0	15.24	17.7
fig. 26	50	63.5	22.86	25.3
fig. 27	52	66.0	22.86	25.3
fig. 28	64	82.1	22.86	25.3

### Ordering Information

RF130-2 XX X X X S 074

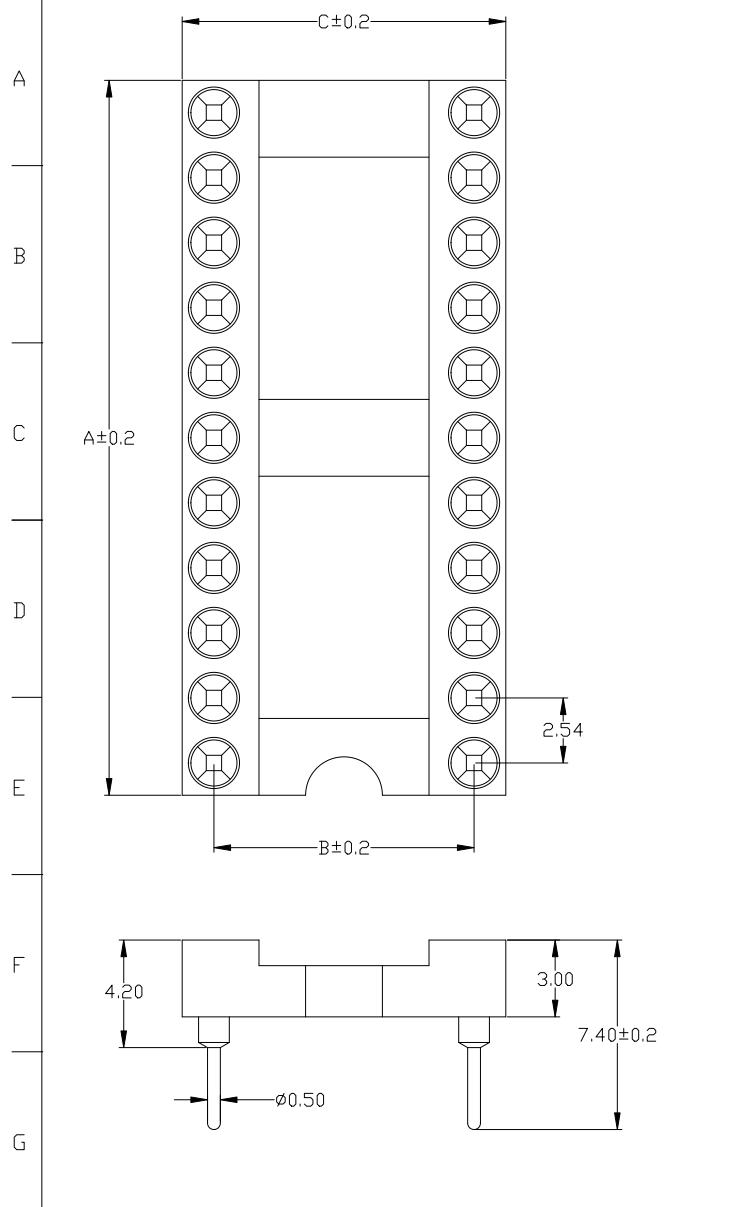
2
2
2
2
2
S
074

HEIGHT OF HOUSING	1: Single-Row	NO. OF PINS PER ROW	0: No Pitch	A=1u"	A: PBT	LENGTH OF TERMINAL
	2: Dual-Row		1: 1.27	B=2u"	B: PA6T	
	3: Three Rows of	2~40P	2: 2.00	C=5u"	C: PA9T	
			3: 2.54	D=10u"	D: LCP	
			4: 7.62	E=15u"	G: PPS	
			5: 10.16	F=30u"	S: Ordinary Tin Plated	
			6: 15.24	H: Half gold plated Tin		
			7: 22.86			

## Specifications

Insulator : Black glass filled polyester PPS-GF30-FR  
 Flammability : UL94V-0  
 Sleeve : Brass CuZn 36Pb3(36000)  
 Contact clip (4 finger) : Beryllium copper (C17200)  
 Mating pin Ø : 0.40 to 0.56mm  
 Forces: (polished steel gauge Ø0.43mm)  
 -Insertion : 2 N typ.  
 -Withdrawal: 1 N typ.  
 Mechanical life : min 100 cycles  
 Rated current : 1Amp  
 Contact resistance: Max 10mΩ  
 Dielectric resistance : Min 1000V<sub>RMS</sub>

					OPERATION		SCALE		Fit	<h2 style="margin: 0;">上海高霖电子有限公司</h2>				
					X.X	±0.25	UNIT		MM					
					X.XX	±0.20	SIZE	A4	DESIGN					PART NO.
					X.XXX	±0.10	SHEET	1/1	CHECK					TITLE:
REV	DATE	MODIFICATION DESCRIPTION	CHANGE	APPROVE	Angle	±3°	PROJ.		APPROVE	Customer No.				
1					DIM	TOL								



See page 33	No. of Positions	A	B	C
fig. 1	6	7.6	7.62	10.1
fig. 2	8	10.1	7.62	10.1
fig. 3	10	12.6	7.62	10.1
fig. 4	12	15.2	7.62	10.1
fig. 5	14	17.7	7.62	10.1
fig. 6	16	20.3	7.62	10.1
fig. 7	18	22.8	7.62	10.1
fig. 8	20	25.3	7.62	10.1
fig. 9	22	27.8	7.62	10.1
fig. 10	24	30.4	7.62	10.1
fig. 11	28	35.5	7.62	10.1
fig. 12	20	25.4	10.16	12.6
fig. 13	22	27.8	10.16	12.6
fig. 14	24	30.4	10.16	12.6
fig. 15	28	35.5	10.16	12.6
fig. 16	32	40.6	10.16	12.6
fig. 17	24	30.5	15.24	17.7
fig. 18	28	35.5	15.24	17.7
fig. 19	32	40.6	15.24	17.7
fig. 20	36	45.7	15.24	17.7
fig. 21	40	50.8	15.24	17.7
fig. 22	42	53.3	15.24	17.7
fig. 23	48	60.9	15.24	17.7
fig. 24	50	63.5	15.24	17.7
fig. 25	52	66.0	15.24	17.7
fig. 26	50	63.5	22.86	25.3
fig. 27	52	66.0	22.86	25.3
fig. 28	64	82.1	22.86	25.3

### Ordering Information

RF130-2 XX X X X S 074

HEIGHT OF HOUSING 30:3.0mm  
 1:Single-Row  
 2: Dual-Row  
 3: Three Rows of

NO. OF PINS PER ROW  
 0: No Pitch  
 1: 1.27  
 2: 2.00  
 3: 2.54  
 4: 7.62  
 5: 10.16  
 6: 15.24  
 7: 22.86

A=1u"  
 B=2u"  
 C=5u"  
 D=10u"  
 E=15u"  
 F=30u"

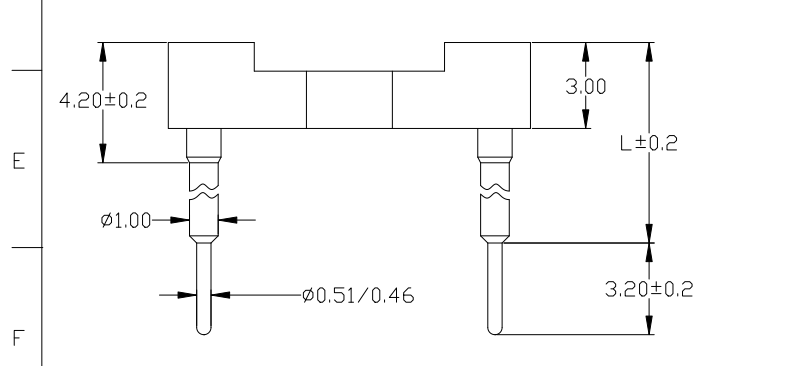
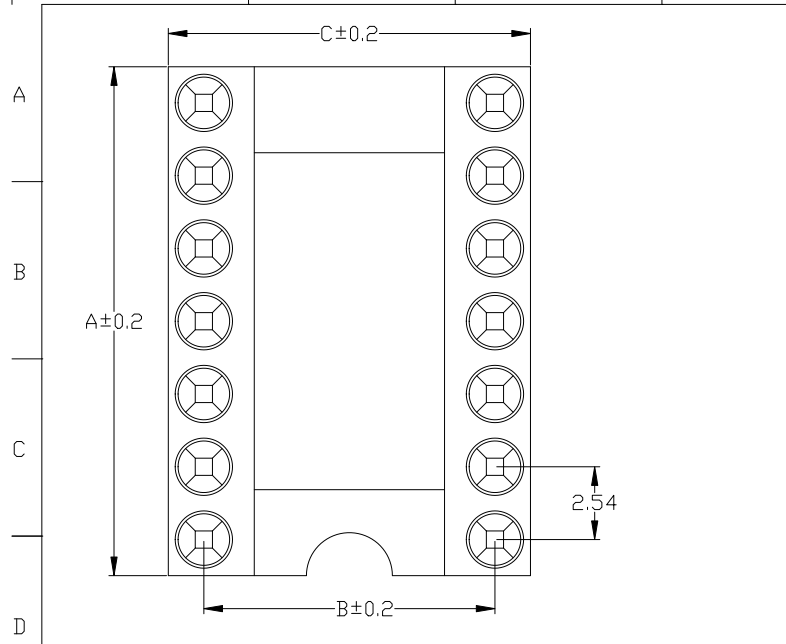
A: PBT  
 B: PA6T  
 C: PA9T  
 D: LCP  
 G: PPS  
 S: Ordinary Tin Plated  
 H: Half gold plated Tin

LENGTH OF TERMINAL

### Specifications

Insulator : Black glass filled polyester PPS-GF30-FR  
 Flammability : UL94V-0  
 Sleeve : Brass CuZn 36Pb3(36000)  
 Contact cilp (4 finger) : Beryllium copper (C17200)  
 Mating pin Ø : 0.40 to 0.56mm  
 Forces: (polished steel gauge Ø0.43mm)  
 -Insertion : 2 N typ.  
 -Withdrawal: 1 N typ.  
 Mechancial life : min 100 cycles  
 Rated current : 1Amp  
 Contact resistance: Max 10mΩ  
 Dielectric resistance : Min 1000V<sub>RMS</sub>

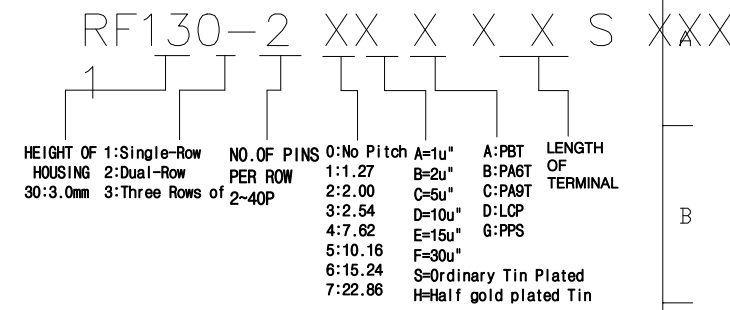
					OPERATION		SCALE		Fit	上海高霖电子有限公司			
					X.X	±0.25	UNIT		MM				
					X.XX	±0.20	SIZE	A4	DESIGN	卢小强	PART NO.	RF130-2XXXXXS074C1	
					X.XXX	±0.10	SHEET	1/1	CHECK		TITLE:	2.54圆孔 IC座 塑高3.0 180度 L=7.4	
REV	DATE	MODIFICATION DESCRIPTION		CHANGE	APPROVE	Angle	±3°	PROJ.	⊕	APPROVE	Customer No.		
					DIM	TOL							
1		2	3	4	5	6	7	8	9	10			



**Contact length L:**  
 6mm, 7mm, 8mm, 9mm, 10mm,  
 11mm, 12mm, 13mm, 15mm,  
 18mm, 22mm, 33mm

See page 33	No. of Positions	A	B	C
fig. 1	6	7.6	7.62	10.1
fig. 2	8	10.1	7.62	10.1
fig. 3	10	12.6	7.62	10.1
fig. 4	12	15.2	7.62	10.1
fig. 5	14	17.7	7.62	10.1
fig. 6	16	20.3	7.62	10.1
fig. 7	18	22.8	7.62	10.1
fig. 8	20	25.3	7.62	10.1
fig. 9	22	27.8	7.62	10.1
fig. 10	24	30.4	7.62	10.1
fig. 11	28	35.5	7.62	10.1
fig. 12	20	25.4	10.16	12.6
fig. 13	22	27.8	10.16	12.6
fig. 14	24	30.4	10.16	12.6
fig. 15	28	35.5	10.16	12.6
fig. 16	32	40.6	10.16	12.6
fig. 17	24	30.5	15.24	17.7
fig. 18	28	35.5	15.24	17.7
fig. 19	32	40.6	15.24	17.7
fig. 20	36	45.7	15.24	17.7
fig. 21	40	50.8	15.24	17.7
fig. 22	42	53.3	15.24	17.7
fig. 23	48	60.9	15.24	17.7
fig. 24	50	63.5	15.24	17.7
fig. 25	52	66.0	15.24	17.7
fig. 26	50	63.5	22.86	25.3
fig. 27	52	66.0	22.86	25.3
fig. 28	64	82.1	22.86	25.3

### Ordering Information



### Specifications

Insulator : Black glass filled polyester PPS-GF30-FR  
 Flammability : UL94V-0  
 Sleeve : Brass CuZn 36Pb3(36000)  
 Contact cilp (4 finger) : Beryllium copper (C17200)  
 Mating pin Ø : 0.40 to 0.56mm  
 Forces: (polished steel gauge Ø0.43mm)  
 -Insertion : 2 N typ.  
 -Withdrawal: 1 N typ.  
 Mechancial life : min 100 cycles  
 Rated current : 1Amp  
 Contact resistance: Max 10mΩ  
 Dielectric resistance : Min 1000V<sub>RMS</sub>

REV	DATE	MODIFICATION DESCRIPTION	CHANGE	APPROVE	OPERATION		SCALE		Fit
					X.X	±0.25	UNIT		
					X.XX	±0.20	SIZE	A4	DESIGN
					X.XXX	±0.10	SHEET	1/1	CHECK
					Angle	±3°	PROJ.	☉	APPROVE
					DIM	TOL			

### 上海高霖电子有限公司

卢小强	PART NO.	RF130-2XXXXXSXXXC1
	TITLE:	2.54圆孔 IC座 塑高3.0 180度
	Customer No.	